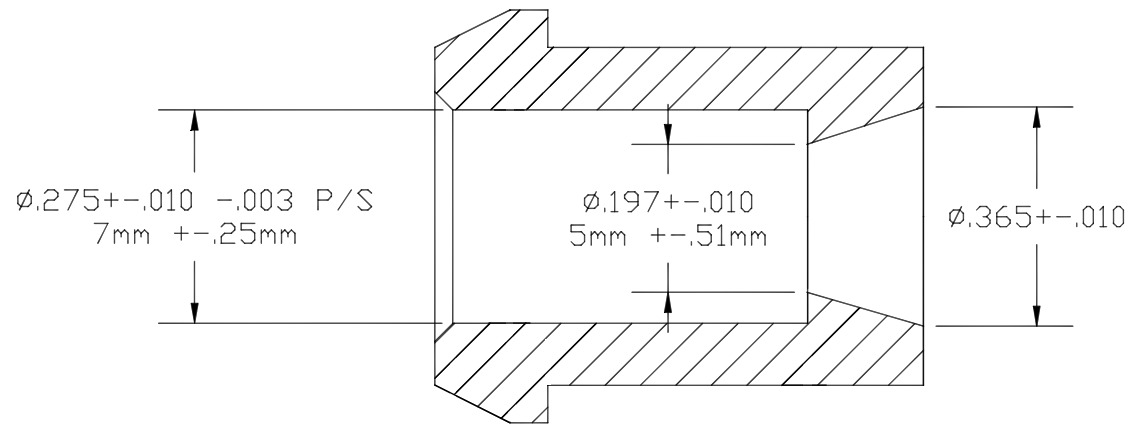


1. EMBEDDED PARTICULATE / CLEANLINESS PER 02002-P.
2. FLASH .010 MAX., FIRMLY ATTACHED.
3. GATE + OR - .010 MAXIMUM.
4. SINK IN INSIDE DIAMETER .008 MAXIMUM.
5. MAT'L: NORTON S-125-M-70-A OR EQUIVALENT. VIRGIN W/CERTS.
6. DOUBLE BAG PARTS IN 1.5mm P.E. BAGS
7. INSPECT PER MIL-STD 105D AT 4.0 AQL.
8. PARTS TO BE MANUFACTURED IN CLASS 100,000 CLEAN ROOM ENVIRONMENT.
9. COSMETIC CRITERIA PER 01020-P, CONNECTOR BODY IS CLASS II-B.



FOR REFERENCE ONLY

SECTION VIEW 3X
 NOT TO SCALE

501 REDUCER BUSHING 3/8 - 5mm 1mm WALL TUBING			
P/N 501-6-5m			
ORDER NO: B13	DWG NO: 50165m2	APPROVED:	APPROVED:
BREVET, INC.			